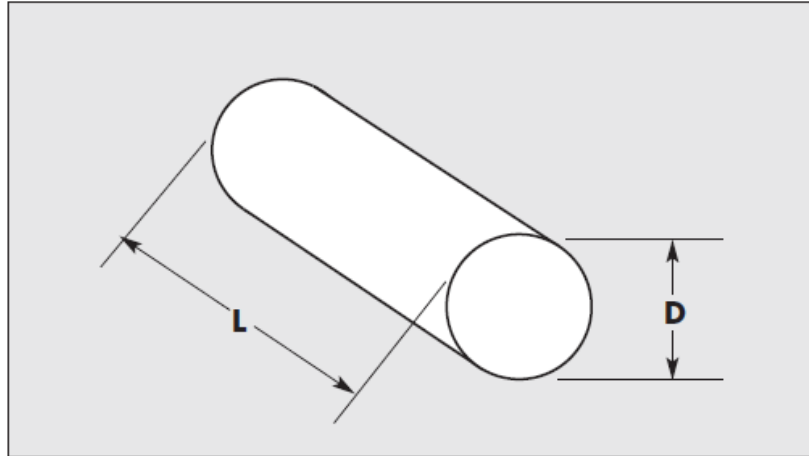


## Choosing the Right Pouch/Bag Size

### Tubular-Shaped Products

Pouch width =  $1.5 \times D + 1\text{-in.}$

Pouch length =  $D + L + 2\text{-in.}$



### Rectangular-Shaped Products

Pouch width =  $W + H + 1\text{-in.}$

Pouch length =  $L + H + 2\text{-in.}$

